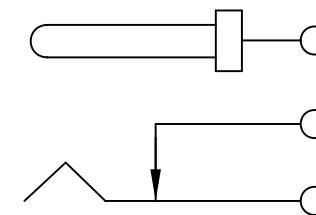
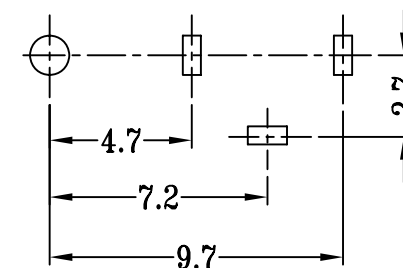
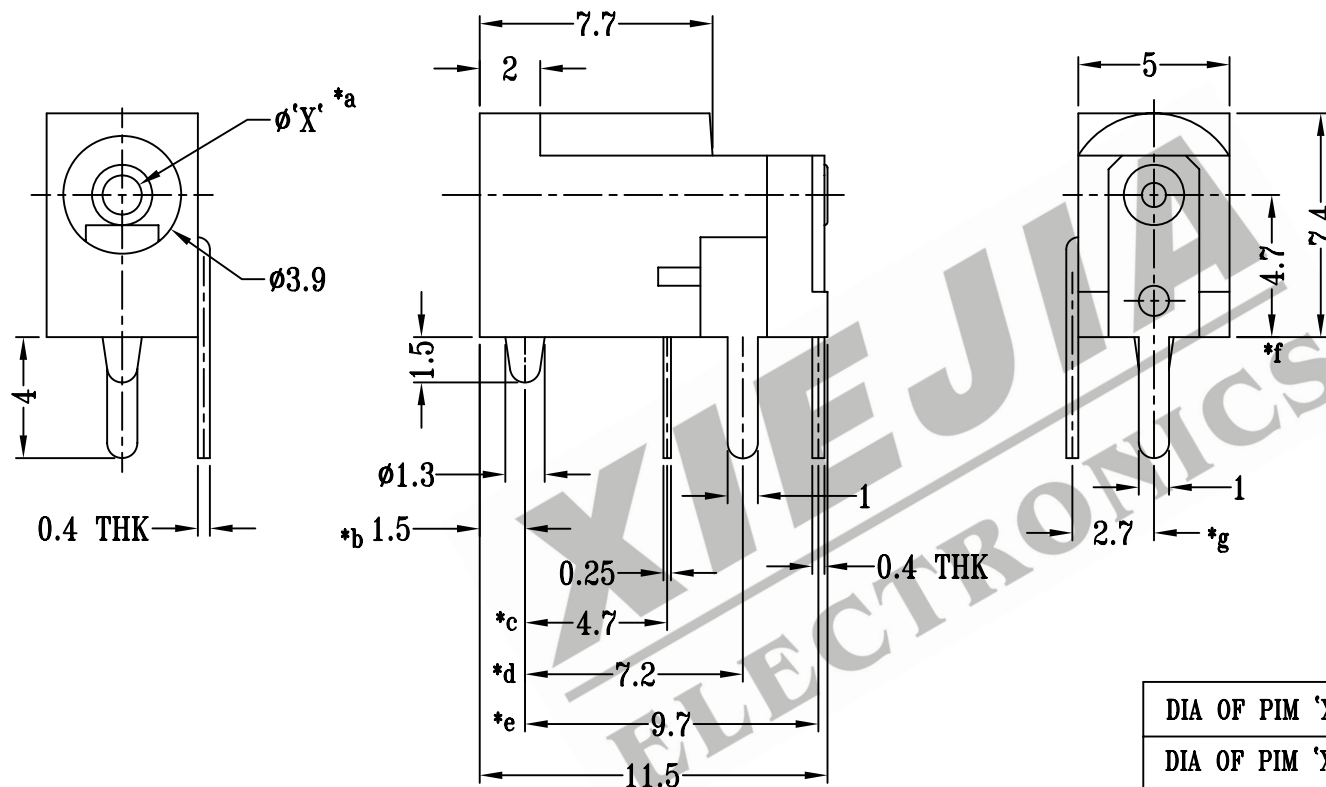


CAD FILE:



SCHEMATIC



P.C.B LAYOUT

DIA OF PIM 'X' D=1.3mm
DIA OF PIM 'X' E=1.0mm

注:带"*"表示关键尺寸(7个)

				TOLERANCE UNLESS SPECIFIED		SHENZHEN XIEJIA ELECTRONICS CO.,LTD.			
8									
7									
6	PLUG PIN	BRASS	1	Ag PLATED (0.1 μ m-0.3 μ m)	WITHIN: 1.5 \pm 0.1mm				
5	SPRING TERMINAL	PBS C5210R	1	Ag PLATED OVER Ni PLATED (0.1 μ m-0.3 μ m)	OVER : 1.5 \pm 0.2mm	ISSUE	DATE	DESCRIPTIONS	APPD.
4	TERMINAL	BRASS STRIP	1	Ag PLATED OVER Ni PLATED (0.1 μ m-0.3 μ m)	TITLE : DC POWER JACK		UNIT : MM	DRWG NO.: XJ-DR-DS383-00	
3	COVER	NYLON+UL94-V0	1	BLACK	MODEL: DS-383		SCALE: 4 : 1	DWN.	ZHOUYU
2	CONTACT	BRASS STRIP	1	Ag PLATED OVER Ni PLATED (0.1 μ m-0.3 μ m)	ALL MATERIALS MUST BE COMPLIANT TO ROHS			CHK'D	FANGYING
1	CASE	NYLON+UL94-V0	1	BLACK				APPD.	KANGXINAN
NO.	PART NAME	MATERIAL	Q'TY	FINISHING					2004-7-3
									2004-7-3